



## Lump Iron Ore Pre-Beneficiation Plant - 600tph

**600tph Capacity, %29Fe<sub>3</sub> run of mine, %42Fe<sub>3</sub> Product, %4Fe<sub>3</sub> Tail!**

Ermaden Hasancelebi plant has been completed as turnkey project in 2018 in Malatya/Turkey. Customer is Erdemir Group that one of the biggest iron-steel manufacturer all around the World.

The Project process laboratory studies complete in 10 months and more than 500 different combinations are experienced according this iron ore. Mineralogical and beneficiation studies are completed by Bas and joint venture laboratory company. After laboratory step 100 tph sample product produced and equipment manufacturing started.

All construction and equipment manufacturing completed in 12 months.

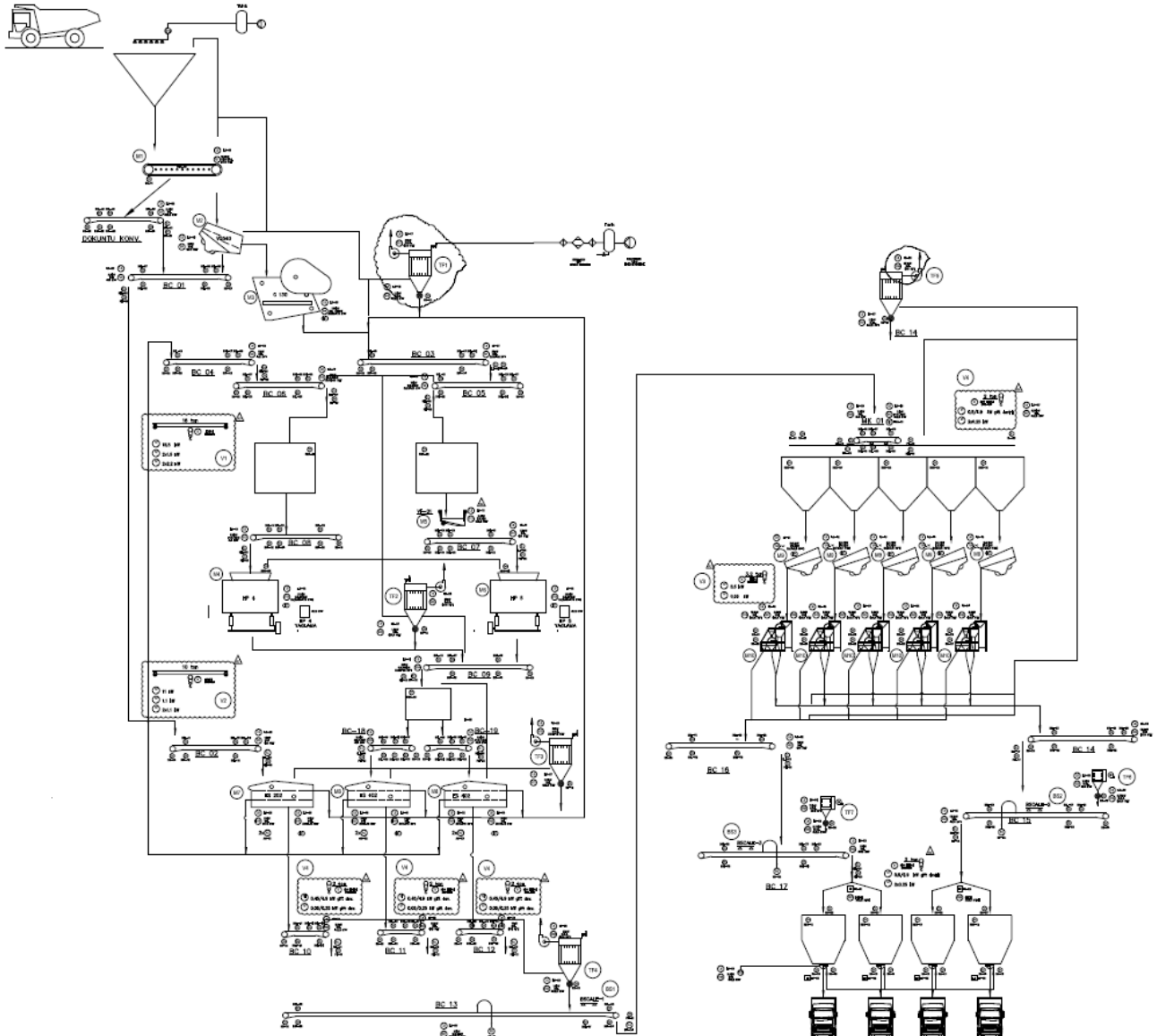
### PROCESS EQUIPMENTS

- APRON FEEDER
- GRIZLY FEEDER
- JAW CRUSHER
- CONE CRUSHER – 2 UNIT
- SCREENER – 3 UNIT
- MAGNETIC SEPARATORS – 5 UNIT

*Plant is desgined a traditional lump iron ore pre-beneficiation plant. Unlike other plants that is ready for variable iron ore rate (run of mine) limited with -%5 to produce same product.*

*Plant inlet capacity 600 tph, Produce %43Fe<sub>3</sub> product and tailing is limited with %4Fe<sub>3</sub>.*

PFD



- Plant is designed for 12 months running and all closed construction including conveyor belts. In the process 7 different capacity and operated filters for clean working conditions.
- 22 different conveyor belts are in operations.
- All automatic sampling equipments
- All convertible vibratory feeders for optimized separation
- 3 different belt scales for the right operation and monitoring.



For watching video:

<https://www.youtube.com/watch?v=IrvG4QbEkhc>